



DTC OF A 5 LEVEL MMC FED 3- Φ INDUCTION MOTOR WITH PI AND FLC USING CBAPOD PWM TECHNIQUE

Sriramulu Naik Mudhavath¹, Kesana Gopikrishna², Venkat Anjani Kumar G³.

^{1,3} Assistant Professor, Department of E.E.E., Rajiv Gandhi University of Knowledge Technologies- Ongole, Andhra Pradesh.

² Assistant Professor, Department of E.E.E., Rajiv Gandhi University of Knowledge Technologies-Nuzvid, Andhra Pradesh.

¹<http://orcid.org/0000-0002-6602-9792>, ²<http://orcid.org/0009-0007-9737-3338>, ³<http://orcid.org/0009-0004-3111-0525>

Email: msriramnaik@gmail.com, gopi52@gmail.com, anjishelectrical@gmail.com

ARTICLE INFO

Article History

Received: September 15, 2024

Revised: November 6, 2024

Accepted: November 10, 2024

Published: November 30, 2024

Keywords:

Direct Torque Control-DTC,
Modular Multilevel Converter –
MMC,
Fuzzy Logic Controller- FLC.

ABSTRACT

Industrial motor drives, particularly three phase induction motor drives, have been adopting Modular Multilevel Converters (MMC). MMC is utilized in the design of power and control circuits to give the appropriate switching sequences that yield the corresponding output voltage levels. This paper describes the Alternate Phase opposition Disposition Pulse Width Modulation (APOD-PWM) method and fuzzy logic controller used to regulate the 5-level MMC topology of an induction motor. The MMC's switching mechanism is essential for enhancing the induction motor drive's power quality. The converter can be used as a source of controlled voltage because it has numerous distinct voltage levels accessible. Researchers have improved the application of fuzzy logic for Direct Torque Control (DTC) in variable speed drives that rely on multilevel inverters in the past few years. The MATLAB/SIMULINK simulator is the foundation of our suggested method, which measures the effectiveness of direct torque control with respect to ripple in current, speed, torque, and transient response. Both the fuzzy logic controllers (FLC) as well as the PID controller were compared in this study. THD content will significantly decrease as a result of this.



Copyright ©2024 by authors and Galileo Institute of Technology and Education of the Amazon (ITEGAM). This work is licensed under the Creative Commons Attribution International License (CC BY 4.0).

I. INTRODUCTION

Power electronic converters, such as multilevel inverters, are essential of the development of AC motors due to their excellent power abilities, reduced switching losses, and effective electrical performance, strong electromagnetic compatibility, and decreased output waveform harmonic content. Multilevel inverters provide a viable option for outdoor applications where it is not possible to cable AC power to the desired area and at which a driving unit with a fixed or varying speed is needed. Output waveforms inverter becomes significantly more similar to the sinusoidal waveform [1].

First described by [2], the Modular Multilevel Converter (MMC) is an architecture that offers benefits for high power utilizations. It is appropriate for HVDC of excellent performance [3]. Additionally, motor drives and STATCOM employ it [4],[5]. T. Nougouchi and Depenbrock [6],[7] developed the direct torque control approach for induction machine control, which was first published in the literature in the middle of the 1980s. The

following severity is provided by this method: [8-10]. The disadvantages of a DTC system with hysteresis controllers are torque ripple, current, and variable switching frequency.

Because of their straightforward design and excellent performance under a variety of operating circumstances, PI-type controllers are the most often used controller in industrial applications [11]. The key issue with that controller is the proper selection of PI gains, as well as the fact that employing fixed gains may result in the controller failing to provide the appropriate control performance when plant characteristics and operating conditions change [12].

In [13-17], the performance of a 3-phase induction motor with DTC was reported when it was operated from MMC using the carrier-based Phase Opposition Disposition (POD PWM) approach. In [18],[19], 3-Level MMC employed a Fuzzy Logic Controller in conjunction with APOD-PWM technique. The current work used a simulator (MATLAB/SIMULINK) to determine the ripples in current, dynamic responsiveness, torque, and speed of a 3- Φ induction motor with DTC. The proposed

architecture is a 5-level MMC with APOD-PWM strategy, which incorporates and combines both PI and fuzzy controllers.

II. PROPOSED MMC TOPOLOGY

As a unique hybrid arm multipolar cell topology, 100% of the arms' unipolar cells are connected to the grounding pole and 100% of the arms' bipolar cells are detached (Figure 1).

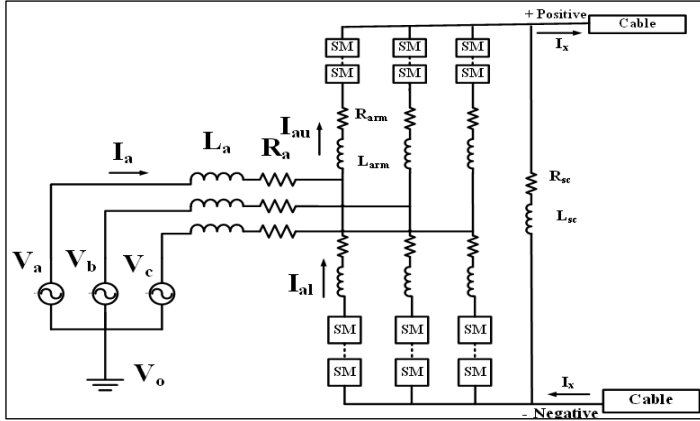


Figure 1: Depicts MMC's fundamental topology. Source: Authors, (2024).

Basic formulas

All phase's SMs are arranged into two blocks according to the voltages V_{la} (lower arm) and V_{ua} (upper arm). Per SM's capacitor is maintained full at a voltage of $V_c = V_{DC}/n$.

The equations connecting DC and AC voltage can be found using an upper or lower arm:

$$V_{oa} = \frac{V_{DC}}{2} - V_{ua} - L \frac{di_{ua}}{dt} \quad (1)$$

$$V_{oa} = -\frac{V_{DC}}{2} + V_{la} + L \frac{di_{la}}{dt} \quad (2)$$

For each of the arms, the currents are:

$$I_{ua} = \frac{I_a}{2} + \frac{I_{DC}}{3} + I_{za} \quad (3)$$

$$I_{la} = -\frac{I_a}{2} + \frac{I_{DC}}{3} + I_{za} \quad (4)$$

Where, I_{za} = circulating current

III. CONTROL AND MODULATION OF MMC

The regulation of terminal voltage as well as current is one of MMC's main challenges. Controlling both the ac and dc voltages is therefore essential.

The controlled variable may vary based on the subject of the investigation. MMC enable energy exchange between the input and output stages [20]. Further, significant considerations that must be made in the design and operation of MMC include arm current management, suppressing circulating currents, and balancing capacitor voltage [21]. Alternative research as listed in [22],[23] provide an extensive discussion of PWM approaches.

Several studies have been carried out [24-28] on the modulation of the MMC converter. PWM-based modulation techniques are most suited for MMC converters due to their

modularity and simplicity of implementation. For MMC control, several pulse width modulation (PWM) approaches were examined [29].

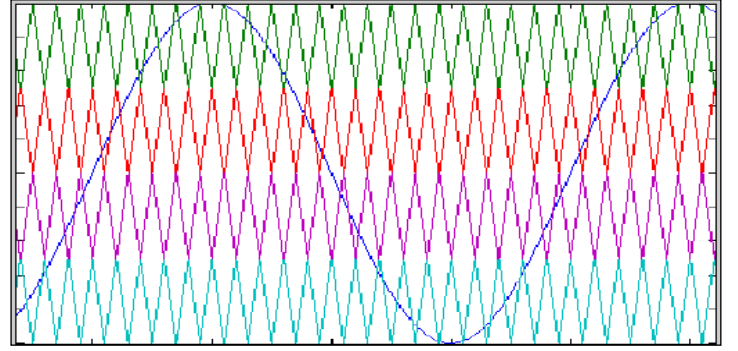


Figure 2: Illustrates the carrier-based APOD-PWM method. Source: Authors, (2024).

The carry signal (message signal) and a reference signal (sinusoidal, triangle, ramp, etc.) are compared when carried-based PWM is used. This results in the generation of gating pulses, which in turn activate the switches on the arms. PWM technique refers to the signal generation process. An Alternative Phase Opposition Disposition PWM (APODPWM) technique (Figure 2) was taken into consideration in this work. This system alternates between using out-of-phase and in-phase carrier waveforms.

IV. FUZZY LOGIC CONTROLLER

The concept of fuzzy logic is comparable to human senses and cognition. For the fuzzy logic approach to be used in a real usage, the three steps that follow need to be completed:

1. The process of converting crispy or traditional information into fuzzy data, also known as Membership Functions (MFs), is called fuzziness.

2. Fuzzy Synthesis Procedure: Blend control constraints and functions for membership to produce the fuzzy outcome.

3. Defuzzification is: Various techniques are applied to determine each related result, which is then arranged in an array known as a lookup table.

According to the information being provided, choose the appropriate output from the lookup table for an application. The electromagnetic torque error is fuzzified using five fuzzy subsets: Negative Big (NB), Negative Small (NS), Zero (Z), Positive Small (PS), and Positive Big (PB). Figure 3 (a) shows an assessment of their membership functions. Three fuzzy subsets of the error of flux are fuzzy: Negative (N), Zero (Z), and Positive (P). Figure 3(b) provides an assessment of their membership functions.

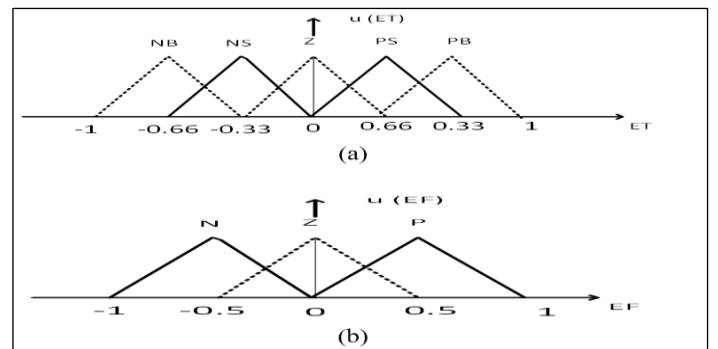


Figure 3. Fuzzy membership functions for input variables (error of torque and flow). Source: Authors, (2024).

V. DIRECT TORQUE CONTROL

DTC for induction machines is becoming the superior substitute for field-oriented control techniques. In comparison to the vector control system, the configuration is significantly less complicated because PI regulators and positional conversions between synchronous and stationary frames are not included. Additionally, it does not require a position encoder or PWM, which add latency and call for mechanical transducers, respectively. DTC-based drives don't use the current regulation loop; instead, they are managed similarly to a closed loop system (Figure 4).

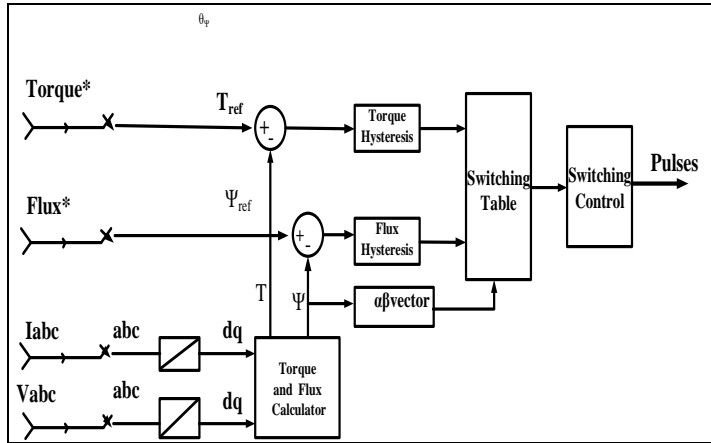


Figure 4: DTC based circuit. Source: Authors, (2024).

$$\text{Stator voltage is } u_s = R_s i_s + \frac{d}{dt} \lambda_s \tag{5}$$

To calculate torque

$$T_e = \frac{3}{2} p_n \lambda_s * i_s \tag{6}$$

Stator linkage flux

$$\lambda_s = L_s i_s + L_m i_r = \frac{L_s}{L_m} (\lambda_r - \sigma L_r i_r) \tag{7}$$

It's possible to calculate torque and flux using the formulae above.

The fundamental idea of DTC is to concurrently select the best inverter switching modes and directly manage the machine's electromagnetic torque and stator flux linkage.

VI. SIMULATION VIEW OF CIRCUIT

The values of induction motor were shown in Table 1.

Table 1: Induction Motor Details.

Parameter	Rating
Nominal power	2237VA
Voltage Line-Line	220V
Stator resistance	0.436Ω
Stator inductance	0.003H
Rotor resistance	0.818Ω
Rotor inductance	0.003H

Source: Authors, (2024).

Speed was considered as 1000, 700, 500, 100, -600 at 0, 1, 3, 5, 7 seconds respectively.

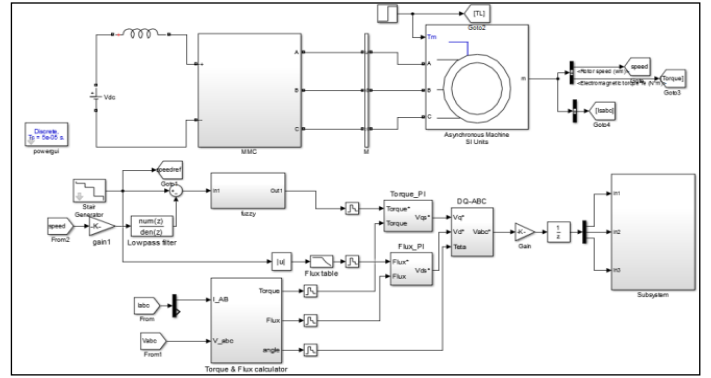


Figure 5: The simulation circuit. Source: Authors, (2024).

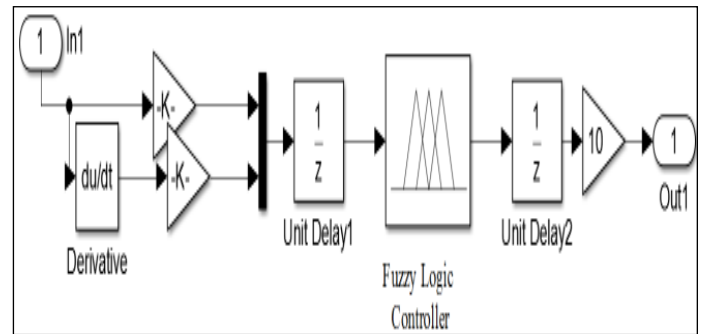


Figure 6: Inside the Fuzzy sub system. Source: Authors, (2024).

Table 2: Controller details.

Controller	Gain Value
Torque	K _p =1.3, K _I = 100
Flux	K _p =200, K _I = 3000

Source: Authors, (2024).

VII. RESULTS AND DISCUSSION

PI CONTROLLER

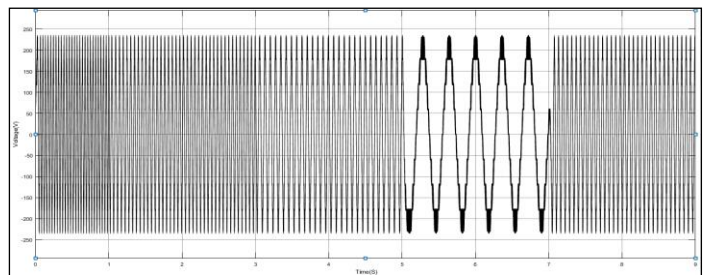


Figure 7: Voltage across inverter. Source: Authors, (2024).

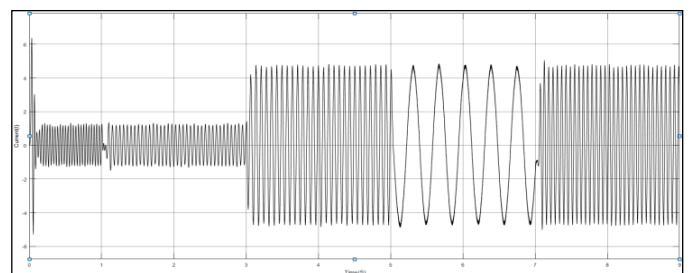


Figure 8: Current of inverter. Source: Authors, (2024).

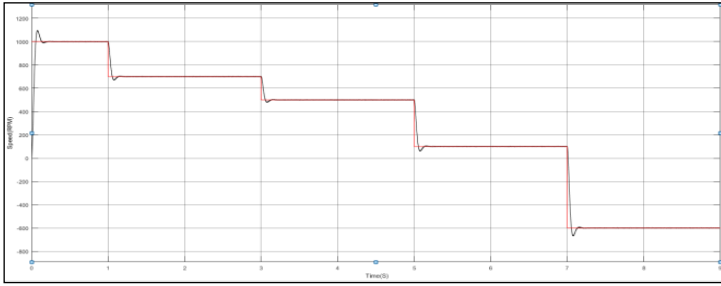


Figure 9: Speed of induction motor.
Source: Authors, (2024).

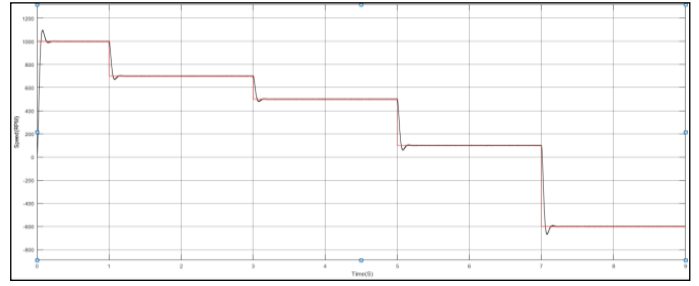


Figure 14: Speed of induction motor.
Source: Authors, (2024).

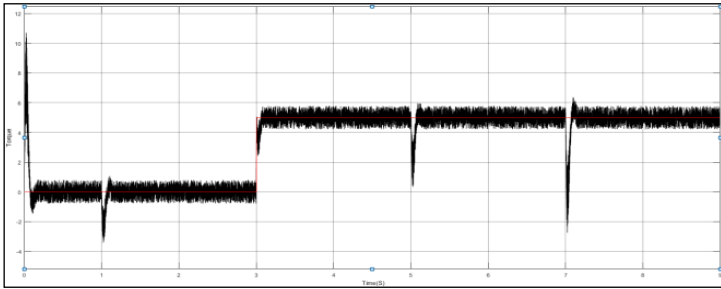


Figure 10: Torque of induction motor.
Source: Authors, (2024).

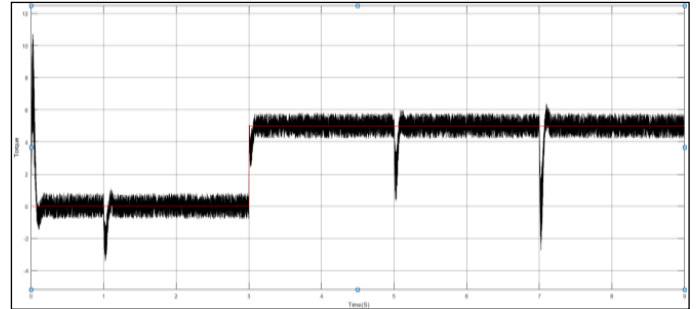


Figure 15: Torque of induction motor.
Source: Authors, (2024).

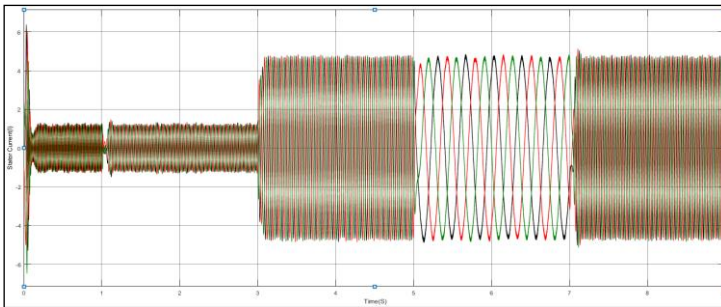


Figure 11: Stator current of motor.
Source: Authors, (2024).

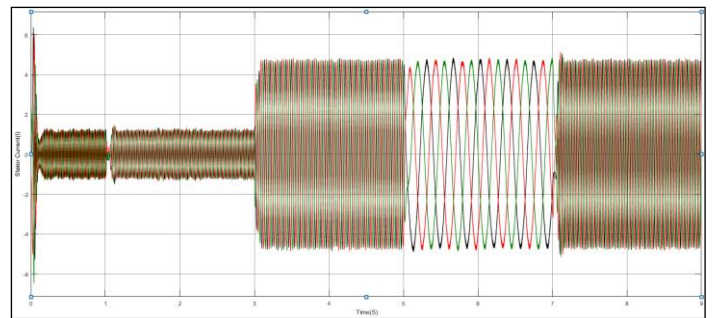


Figure 16: Stator current of induction motor.
Source: Authors, (2024).

FUZZY LOGIC CONTROLLER

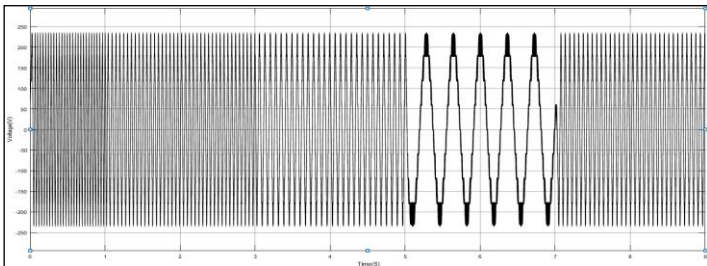


Figure 12: Voltage across inverter.
Source: Authors, (2024).

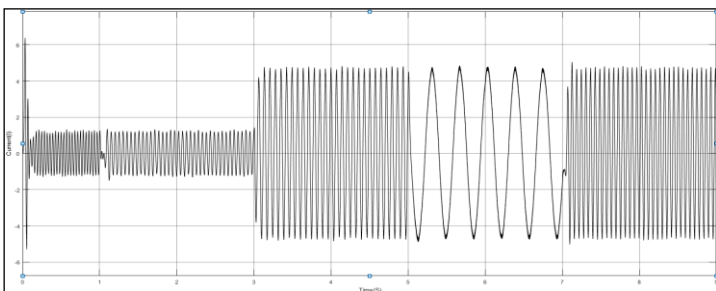


Figure 13: Current at inverter.
Source: Authors, (2024).

The results seem to be the same for both scenarios, yet the Fuzzy MMC has a smaller percentage than the PI MMC when compared to THD values. The voltage THD value for PI MMC is 5.28%, while the fuzzy THD value is 4.52%. The maximum speed achieved with Fuzzy MMC is 997.28 rpm and with PI MMC is 996.46 rpm.

Table 3: Performance Comparison.

S. No	Parameter	5-L MMC	5-L F MMC
1	Voltage (V)	246.43	246.43
2	Current(A)	4.45	4.45
3	Speed (rpm)	996.46	997.28
4	Torque (N-m)	5.08	5.06
5	Stator Current(A)	4.39	4.32
6	THD	5.28%	4.52%
7	current ripple(p.u)	0.12	0.02
8	torque ripple(p.u)	0.001	0.0003
9	Peak Time(s)	0.073	0.03
10	Settling Time(s)	0.154	0.102

Source: Authors, (2024).

VIII. CONCLUSUION

Employing MATLAB/SIMULATION, the application of fuzzy MMC and PI MMC topology to the control of a three-phase induction motor was observed and compared. Fuzzy MMC topology performs better than PI MMC topology because it has a higher maximum speed attain value, a lower torque value, and less harmonic content.

IX. AUTHORS'S CONTRIBUTION

Conceptualization: Sriramulu Naik Mudhavath, Kesana Gopikrishna, Venkat Anjani Kumar. G

Methodology: Sriramulu Naik Mudhavath, Kesana Gopikrishna, Venkat Anjani Kumar. G

Investigation: Sriramulu Naik Mudhavath, Kesana Gopikrishna, Venkat Anjani Kumar. G

Discussion of results: Sriramulu Naik Mudhavath, Kesana Gopikrishna, Venkat Anjani Kumar. G

Writing – Original Draft: Sriramulu Naik Mudhavath, Kesana Gopikrishna, Venkat Anjani Kumar. G

Writing – Review and Editing: Sriramulu Naik Mudhavath, Kesana Gopikrishna, Venkat Anjani Kumar. G

Resources: Sriramulu Naik Mudhavath, Kesana Gopikrishna, Venkat Anjani Kumar. G

Supervision: Sriramulu Naik Mudhavath, Kesana Gopikrishna, Venkat Anjani Kumar. G

Approval of the final text: Sriramulu Naik Mudhavath, Kesana Gopikrishna, Venkat Anjani Kumar. G

Acknowledgments: If necessary, cite people or entities that supported the development of the research.

X. REFERENCES

- [1] Bimal K. Bose, "Modern power electronics and AC drives", The University of Tennessee, Knoxville, 2001, p.338.
- [2] Ciftci, Baris, and Ahmet M. Hava. "Performance evaluation and selection of PWM switching and control methods for grid connected modular multilevel converters." 2015 IEEE Energy Conversion Congress and Exposition (ECCE). IEEE, 2015.
- [3] Lawan, A. U., and Haider M. Abbas. "Level shifted PWMs comparison for a 5-level modular multilevel converter (MMC) topology inverter." 2015 IEEE Conference on Sustainable Utilization And Development In Engineering and Technology (CSUDET). IEEE, 2015.
- [4] Merlin, M. M. C., et al. "A new hybrid multi-level voltage-source converter with DC fault blocking capability." (2010): 56-56. 9th IET International Conference on AC and DC Power Transmission (ACDC 2010).
- [5] Lee, Sze Sing, and Yeh En Heng. "A tuning-less model predictive control for modular multilevel converter capable of unbalanced grid fault." International Journal of Electrical Power & Energy Systems 94 (2018): 213-224.
- [6] M. Merlin, T. Green, P. Mitcheson, D. Trainer, D. Critchley, and R. Crookes, "A new hybrid multi-level voltage-source converter with dc fault blocking capability," in Proc. 9th IET Int. Conf. AC DC Power Transmission., Oct. 2010, pp. 1-5.
- [7] Indra, "Indirect current control techniques of Three Phase APF Using Fuzzy Logic and Proportional Integral Controller: Comparative analysis," IEEE International Conference on Harmonics and Quality of Power ICHQP, pp. 362-367, 2004.
- [8] Jiaqiang Yang, Jin Huang, "Direct torque control system for induction motors with fuzzy speed PI regulator," Machine Learning and Cybernetics, 2005. Proceedings of 2005 International Conference IEEE, Vol. 2, pp. 778-783.
- [9] Del Toro X. Jayne M G. Witting P A, "New DTC control scheme for the induction motor fed with a three-level inverter," IEEE International Symposium on Industrial Electronics ISIE, Vol. 3, pp. 893 - 897, 2005.
- [10] Abdalla T Y. Hairik H A. Dakhil A M, "Direct torque control system for a three phase induction motor with fuzzy logic based speed Controller," 1st International Conference IEEE on Energy, Power and Control EPC-IQ, pp. 131 - 138, 2010.
- [11] A. Hazzab, A. Laoufi, I.K. Bousserhane, M. Rahli "Real time implementation of fuzzy gain scheduling of PI controller for induction machine control", International Journal of Applied Engineering Research, vol.1, n^o.1, 2006, pp. 51-60.
- [12] Shady M. Gadoue, D. Giaouris, J.W. Finch, "Tuning of PI speed controller in DTC of Induction Motor based on genetic algorithms and fuzzy logic schemes", IEEE, 2006, pp.
- [13] Sriramulu Naik Mudhavath, Dr. Gudapati Sambasiva Rao, "Speed and Flux Control of 3-Phase Induction Motor with MMC Topology by Using DTC Technique", JARDCS, Vol. 11, 07-Special Issue, 2019, ISSN 1943-023X, Pages: 757-765.
- [14] Sriramulu Naik Mudhavath, Gudapati Sambasiva Rao, "Control of Modular Multilevel Converter Fed 3-Phase Induction Motor using DTC with PI Controller", DOI: 10.35940/ijitee.C8591.019320, ISSN: 2278-3075, Volume-9 Issue-3, January 2020, Page No. 3451-3456.
- [15] Sriramulu Naik Mudhavath, Dr. Gudapati Sambasiva Rao, "Performance comparison of 5 -level modular multilevel converter fed 3-phase induction motor with direct torque control using pi and fuzzy logic controller", DOI: 10.5373/JARDCS/V12I2/S202012554, Vol. 12, Issue-02, 2020, Pages: 2084-2095.
- [16] Mr. Sriramulu Naik Mudhavath, Dr. Gudapati Sambasiva Rao, "Direct Torque Control of MMC FED 3-Phase Induction Motor Using Fuzzy Logic Controller", ISSN: 2005-4238 IJAST, Vol. 29, No. 6, (2020), pp. 2113 - 2121.
- [17] Sriramulu Naik Mudhavath, Gudapati Sambasiva Rao, "DTC of 3-Level Npc Inverter and Mmc Fed 3-Phase Induction Motor", IJITEE, DOI: 10.35940/ijitee.G4977.059720, ISSN: 2278-3075, Volume-9 Issue-7, May 2020, Page No. 1156-1160.
- [18] Mr. Sriramulu Naik Mudhavath, Dr. Gudapati Sambasiva Rao, "Performance Comparison Between MLI and MMC Topology of Direct Torque Control Induction Machine Drive With Apod-Pwm Technique", ISSN: 1936-7317, Advanced Science Letters, Vol. 26, No. 6, (2020), pp. 1513.
- [19] Mr. Sriramulu Naik Mudhavath, Dr. Gudapati Sambasiva Rao, "Fuzzy Based Three-Level MMC Topology for Direct Torque Control of Three Phase Induction Motor Drive with APOD-PWM Technique", Issn: 1934-7197, Journal Of Engineering, Computing & Architecture, Vol. 10, Issue 7, (2020), pp. 89.
- [20] J. J. Jung, H. J. Lee, and S. K. Sul, "Control strategy for improve dynamic performance of variable-speed drives with Modular Multilevel Converter," IEEE J. Emerg. Sel. Top. Power Electron, vol. 3, no. 2, pp. 371-380, 2015.
- [21] B. Li, S. Shi, D. Xu, and W. Wang, "Control and analysis of the modular multilevel dc de-icer with statcom functionality," IEEE Trans. Ind. Electron., vol. 63, no. 9, pp. 5465-5476, 2016.
- [22] Q. Tu and Z. Xu, "Impact of sampling frequency on harmonic distortion for modular multilevel converter," IEEE Trans. Power Deliv., vol. 26, no. 1, pp. 298-306, 2011.
- [23] Bina, M. Tavakoli. "A transformerless medium-voltage STATCOM topology based on extended modular multilevel converters." IEEE Transactions on Power Electronics 26.5 (2010): 1534-1545.
- [24] B. Li, S. Shi, D. Xu, and W. Wang, "Control and analysis of the modular multilevel dc de-icer with statcom functionality," IEEE Trans. Ind. Electron., vol. 63, no. 9, pp. 5465-5476, 2016.

- [25] F. Xu, Z. Xu, H. Zheng, G. Tang, and Y. Xue, "A tripole HVDC system based on modular multilevel converters," *IEEE Trans. Power Deliv.*, vol. 29, no. 4, pp. 1683–1691, 2014.
- [26] Yin Li, Student Member, IEEE, Lingling Fan, Senior Member, IEEE, "Modular Multilevel Converter Based Induction Machine Drive" International Conference of North American Power Symposium (NAPS) on 4-6 Oct-2015, IEEE-2015.
- [27] J. J. Jung, H. J. Lee, and S. K. Sul, "Control strategy for improve dynamic performance of variable-speed drives with Modular Multilevel Converter," *IEEE J. Emerg. Sel. Top. Power Electron.*, vol. 3, no. 2, pp. 371–380, 2015.
- [28] B. Li, R. Yang, D. Xu, G. Wang, W. Wang, and D. Xu, "Analysis of the Phase-Shifted Carrier Modulation for Modular Multilevel Converters," *IEEE Trans. Power Electron.*, vol. 30, no. 1, pp. 297–310, Jan. 2015.
- [29] A. António-Ferreira, C. Collados-Rodríguez, and O. Gomis-Bellmunt, "Modulation techniques applied to medium voltage modular multilevel converters for renewable energy integration: A review," *Electr. Power Syst. Res.*, vol. 155, pp. 21–39, 2018.